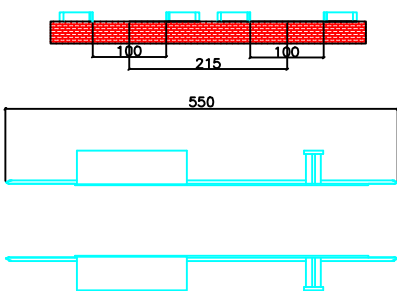


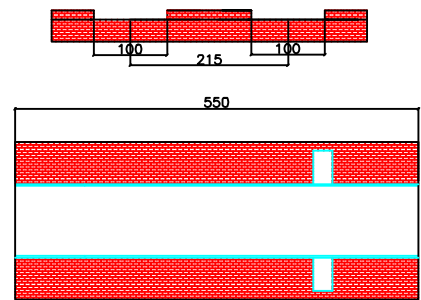
Car socket layout (Carpark T1, Carpark T, Traspark TM and Pozzopark C).

Opzioni di parcheggio vetture con sollevamento integrale (Carpark T1, Carpark T, Traspark TM e Pozzopark C).

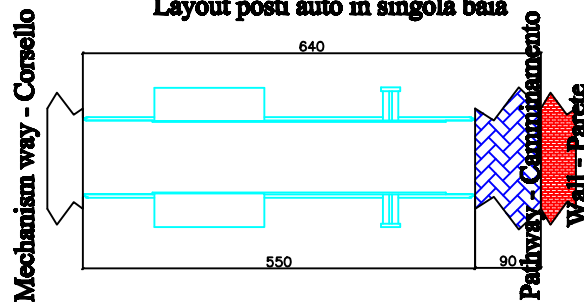
Steel socket
Sopralzo in metallo



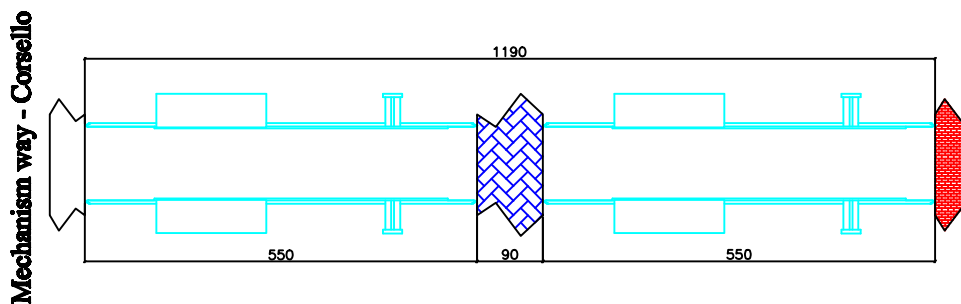
Concrete socket
Appoggio in cemento



Car socket layout in single bay
Layout posti auto in singola baia



Car socket layout in double bay
Layout posti auto in doppia baia



Car socket layout in triple bay
Layout posti auto in tripla baia

